

56mm outer frame  
box reinforcement  
channel reinforcement

101160  
113245  
113317

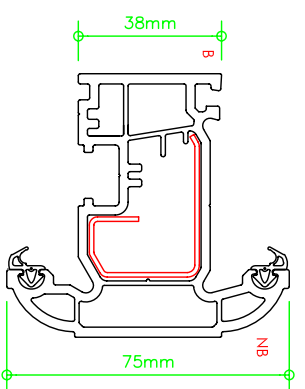
70mm outer frame  
box reinforcement  
cranked reinforcement

101161  
113378  
113371

85mm outer frame  
box reinforcement  
cranked reinforcement

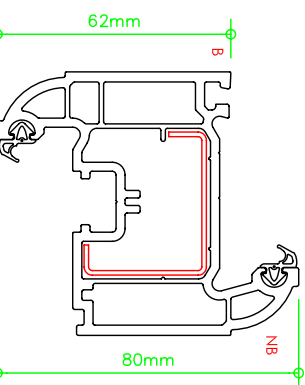
101162  
113378  
113371

outer frame



75mm casement sash  
reinforcement

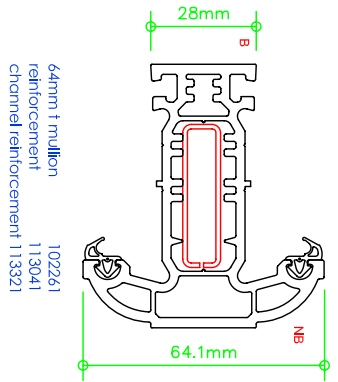
103264  
113372  
113039



80mm tilt & turn sash  
reinforcement

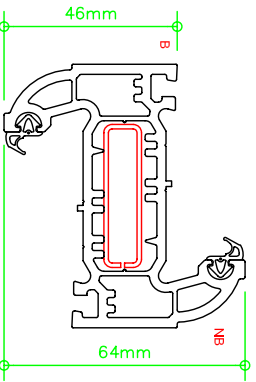
103267  
113373

window sash



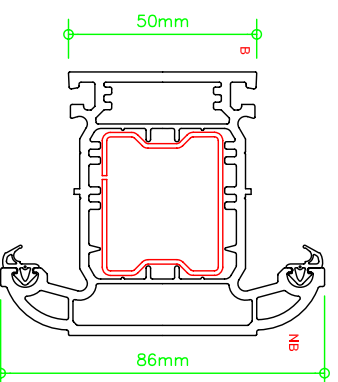
46mm z mullion  
reinforcement  
channel reinforcement

102261  
113041  
113321



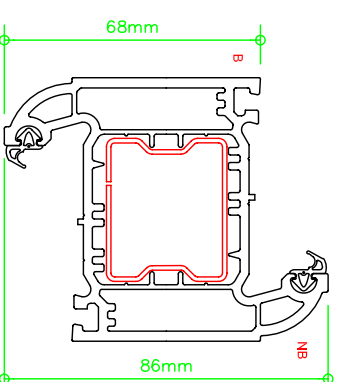
86mm z mullion  
reinforcement  
channel reinforcement

102260  
113041  
113321



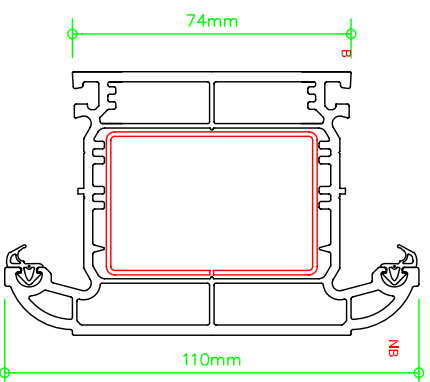
86mm t mullion  
reinforcement  
channel reinforcement  
box reinforcement  
cranked reinforcement

102263  
113041  
113321  
113378  
113371



86mm z mullion  
reinforcement  
channel reinforcement  
box reinforcement  
cranked reinforcement

102262  
113041  
113321  
113378  
113371

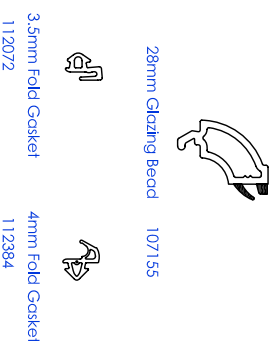


110mm mullion  
reinforcement

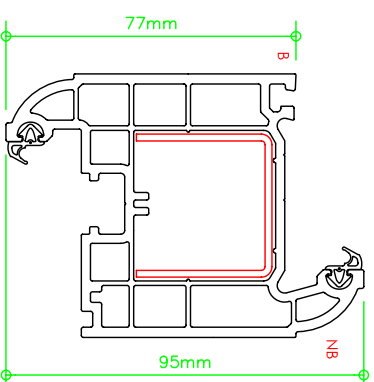
102264  
113376

mullion / transom

bead / gasket

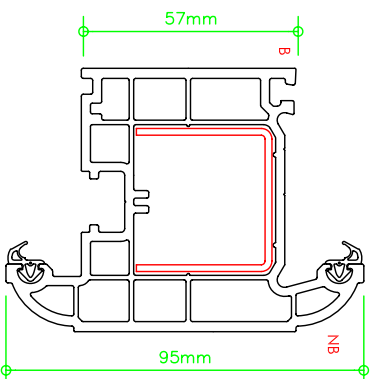


door sash



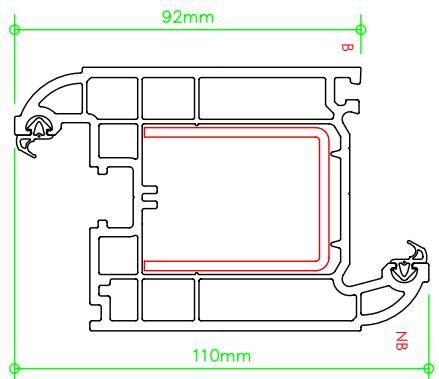
95mm z door sash  
reinforcement  
prepared reinforcement

103265  
113375  
113374



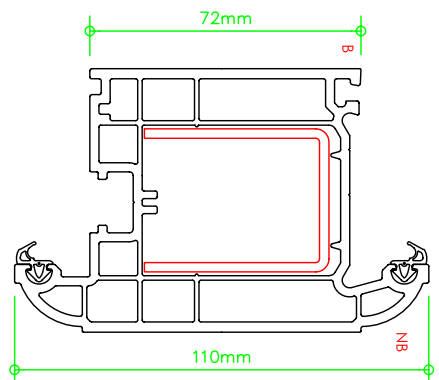
95mm t door sash  
reinforcement  
prepared reinforcement

103266  
113375  
113374



110mm z door sash  
box reinforcement  
channel reinforcement  
prepared reinforcement

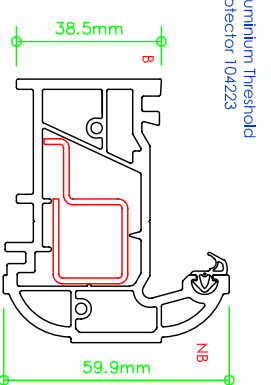
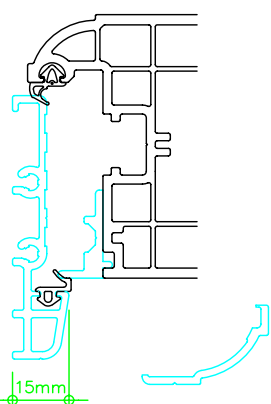
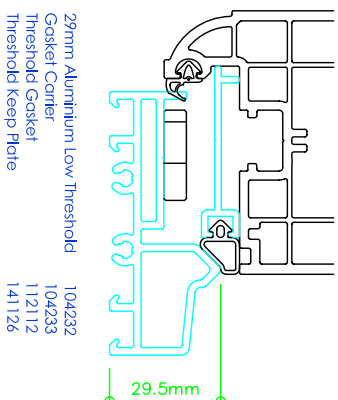
105168  
113231  
113320  
113318



110mm t door sash  
box reinforcement  
channel reinforcement  
prepared reinforcement

105169  
113231  
113320  
113318

ancillaries



System:	Fully Sculptured
Section:	07
Page:	00:03
Date:	March 09
Revision:	00:01

reinforcement

